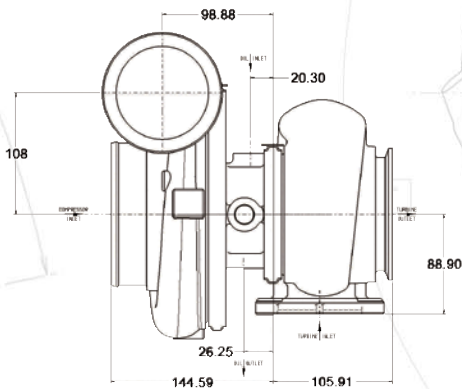


- Forged, fully-machined compressor wheel featuring next generation aerodynamics
- Dual ball bearing, oil & water-cooled CHRA
- Free float, non-wastegated turbine housing
- Optional turbine housings with T4 or diesel turbine inlet flange
- Ported shroud compressor housing to increase surge resistance
- Outline interchangeable with the ball bearing GT4202R
- GTX4202R is sold without turbine housing, includes CHRA & compressor housing. Turbine housing kits are available



**DISPLACEMENT 2.0L - 7.0L**

**HORSEPOWER 525 - 1150**

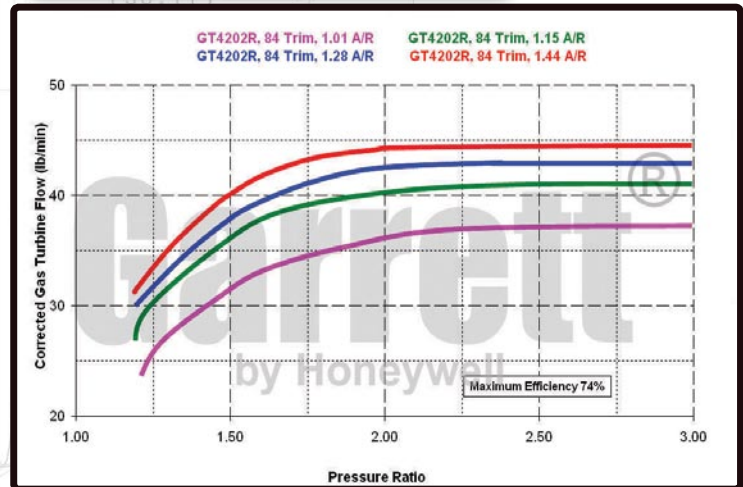
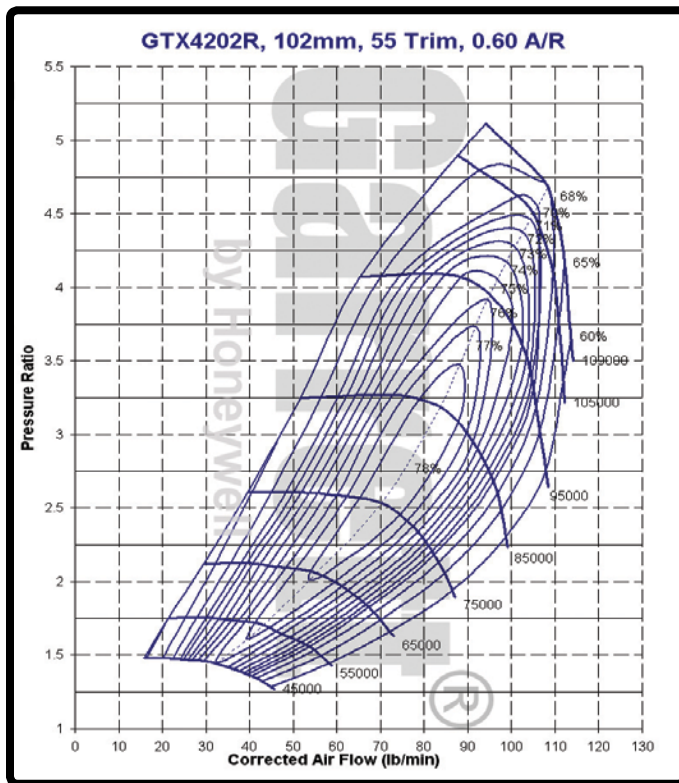
2000
1900
1800
1700
1600
1500
1400
1300
1200
1100
1000
900
800
700
600
500
400
300
200
100
0

GTX4202R		COMPRESSOR				TURBINE		
Turbo PN	CHRA PN	Ind Whl Dia	Exd Whl Dia	Trim	A/R	Whl Dia	Trim	A/R
800269-2	451888-44	75.8mm	102.3mm	55	0.60	82.0mm	84	-

\*Note: inlet flange: Page - 84 Diagram - 03  
 +Note: inlet flange: Page - 84 Diagram - 05

### TURBINE HOUSING OPTIONS

PN	A/R
757707-1*	1.01
757707-2*	1.15
757707-3*	1.28
757707-4*	1.44
757707-10 <sup>+</sup>	1.01
757707-9 <sup>+</sup>	1.15



**GTX**