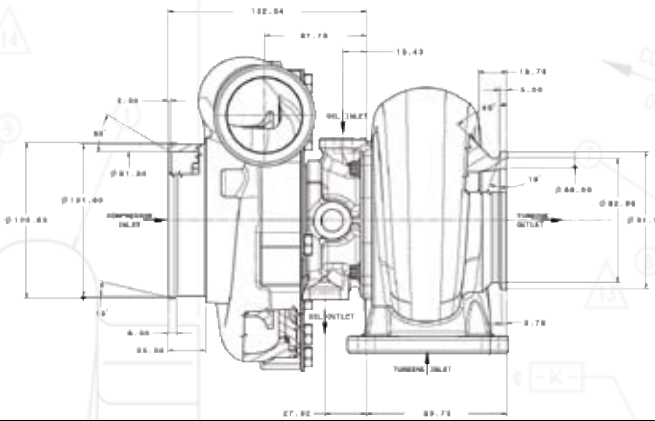


GT3788R

Displacement 2.0L - 5.0L



- Dual ball bearing, oil & water-cooled CHRA
- Free float, non-wastegated turbine housing
- Compressor housing features ported shroud



HORSEPOWER 440 - 675

- 2000
- 1900
- 1800
- 1700
- 1600
- 1500
- 1400
- 1300
- 1200
- 1100
- 1000
- 900
- 800
- 700
- 600
- 500
- 400
- 300
- 200
- 100
- 0

| GT3788R | | COMPRESSOR | | | | TURBINE | | |
|----------|-----------|-------------|-------------|------|------|---------|------|------|
| Turbo PN | CHRA PN | Ind Whl Dia | Exd Whl Dia | Trim | A/R | Whl Dia | Trim | A/R |
| 772719-1 | 751451-12 | 63.5mm | 88.0mm | 52 | 0.72 | 72.5mm | 78 | 0.89 |
| 772719-2 | 751451-12 | 63.5mm | 88.0mm | 52 | 0.72 | 72.5mm | 78 | 0.99 |
| 772719-3 | 751451-12 | 63.5mm | 88.0mm | 52 | 0.72 | 72.5mm | 78 | 1.11 |

