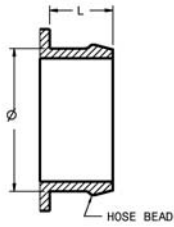


Garrett[®]
by Honeywell

GT3582R
714568-1, 714568-2 & 714568-3

Compressor Inlet

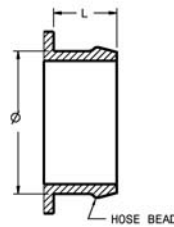
HOSE CONNECTIONS
TABULATED AS (Ø x L)



Ø 101.6 x 31.75

Compressor Outlet

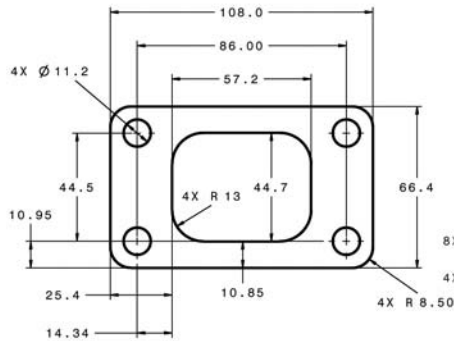
HOSE CONNECTIONS
TABULATED AS (Ø x L)



Ø 63.5 x 30

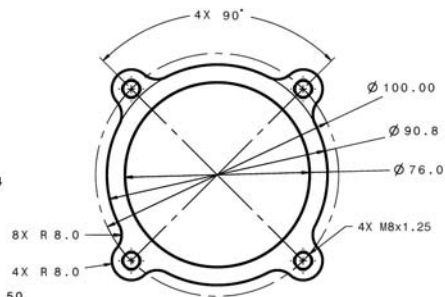
Turbine Inlet

"T3"

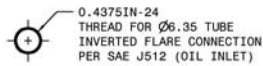


Turbine Outlet

"3-INCH 4 BOLT"

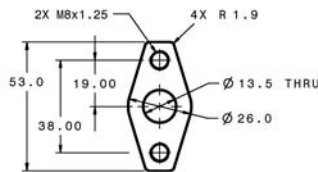


Oil Inlet



0.4375IN-24
THREAD FOR Ø6.35 TUBE
INVERTED FLARE CONNECTION
PER SAE J512 (OIL INLET)

Oil Outlet



Water

M14 x 1.50

All Measurements in MM