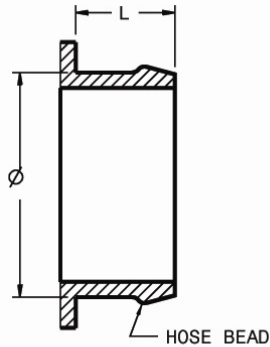


Compressor Inlet

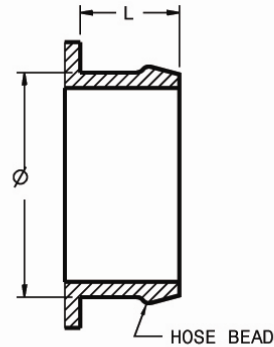
HOSE CONNECTIONS
TABULATED AS (Ø x L)



Ø 103.6 x 31.75

Compressor Outlet

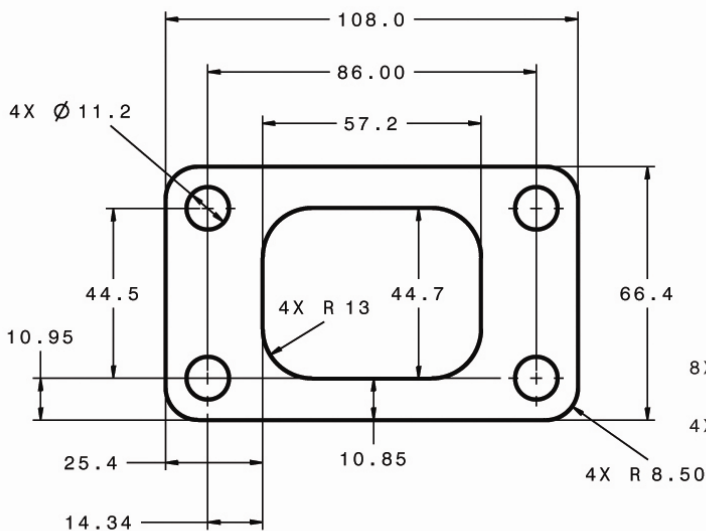
HOSE CONNECTIONS
TABULATED AS (Ø x L)



Ø 50.8 x 30

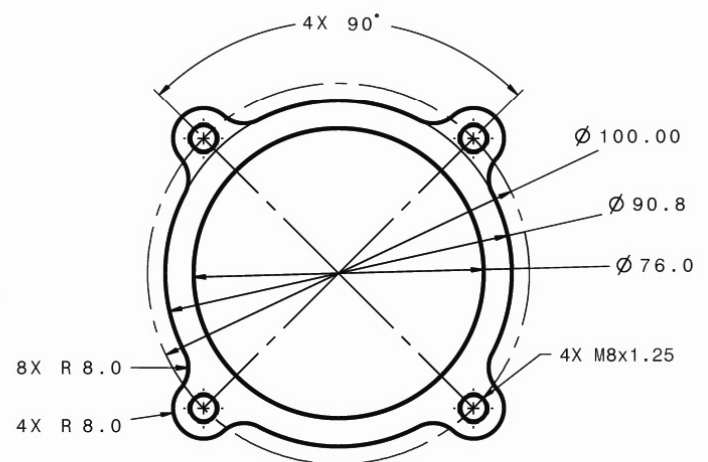
Turbine Inlet

"T3"

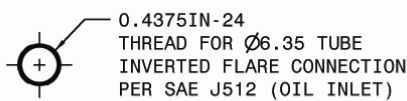


Turbine Outlet

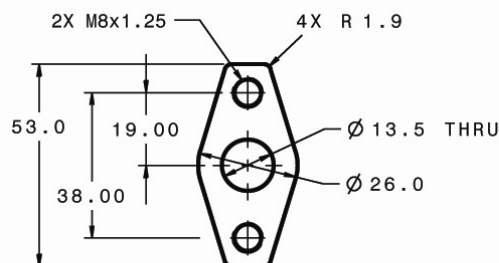
"3-INCH 4 BOLT"



Oil Inlet



Oil Outlet



Water

M14 x 1.50