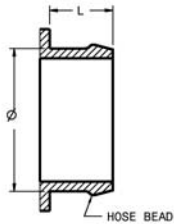


Compressor Inlet

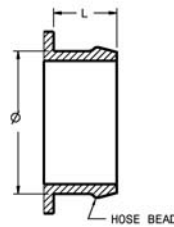
HOSE CONNECTIONS
TABULATED AS (Ø x L)



Ø 76.2 x 31.75

Compressor Outlet

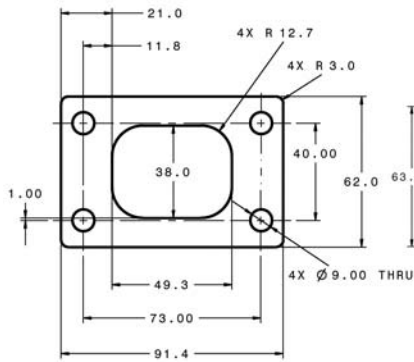
HOSE CONNECTIONS
TABULATED AS (Ø x L)



Ø 51 x 30

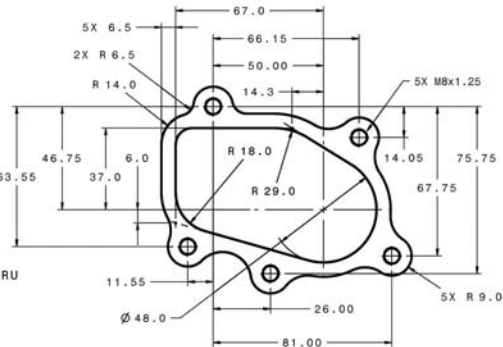
Turbine Inlet

"T25"

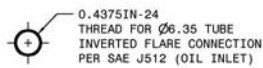


Turbine Outlet

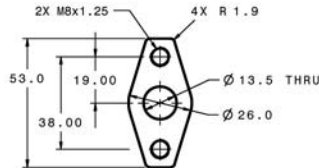
"5 BOLT"



Oil Inlet



Oil Outlet



Water

M14 x 1.50

All Measurements in MM