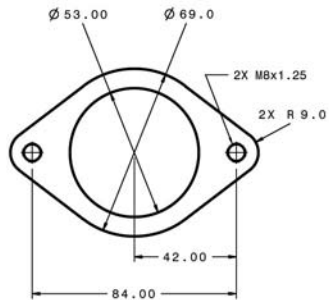
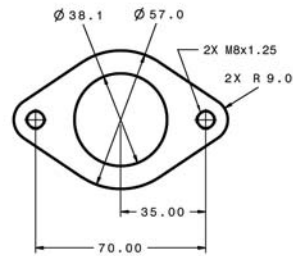


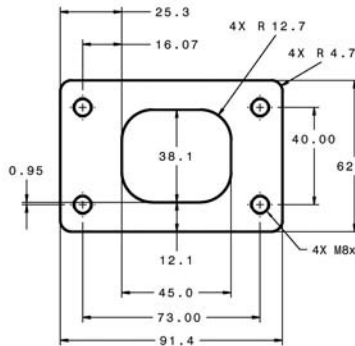
Compressor Inlet



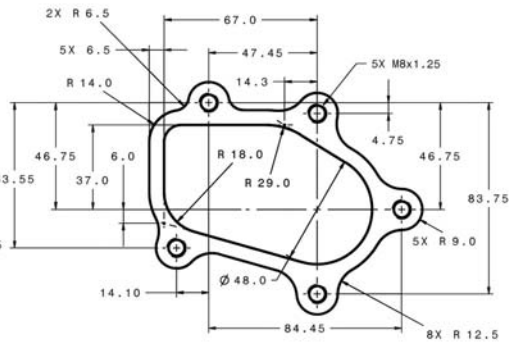
Compressor Outlet



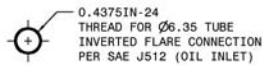
Turbine Inlet
"T25 WITH STUDS"



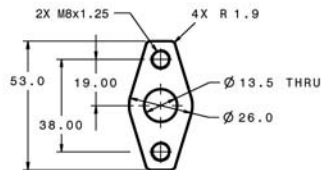
Turbine Outlet
"5 BOLT"



Oil Inlet



Oil Outlet



Water

M14 x 1.50

All Measurements in MM