

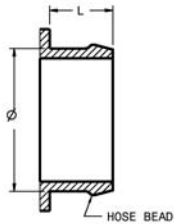
Garrett
by Honeywell

GT2860RS

739548-1 & 739548-5

Compressor Inlet

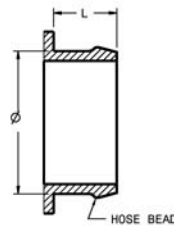
HOSE CONNECTIONS
TABULATED AS (Ø x L)



Ø 76.2 x 31.75

Compressor Outlet

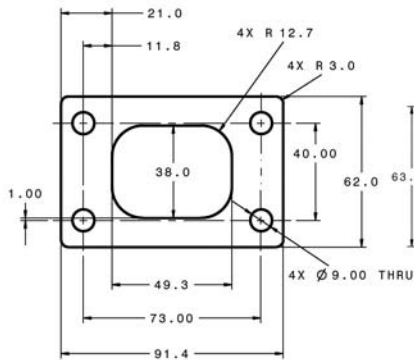
HOSE CONNECTIONS
TABULATED AS (Ø x L)



Ø 51 x 30

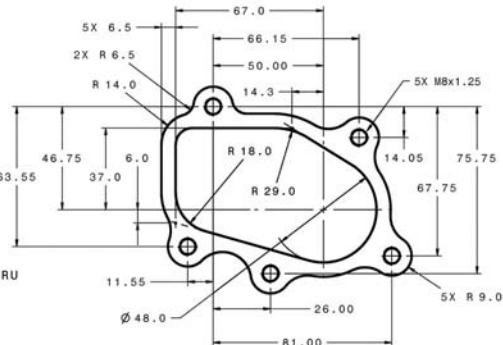
Turbine Inlet

"T25"

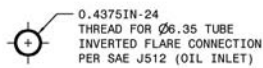


Turbine Outlet

"5 BOLT"

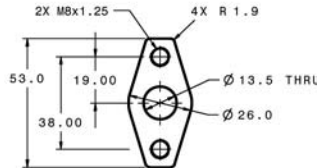


Oil Inlet



0.4375IN-24
THREAD FOR Ø6.35 TUBE
INVERTED FLARE CONNECTION
PER SAE J512 (OIL INLET)

Oil Outlet



Water

M14 x 1.50

All Measurements in MM