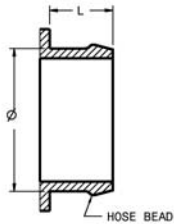


Garrett
by Honeywell

GT2554R
471171-3

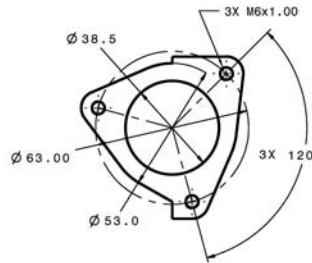
Compressor Inlet

HOSE CONNECTIONS
TABULATED AS (Ø x L)

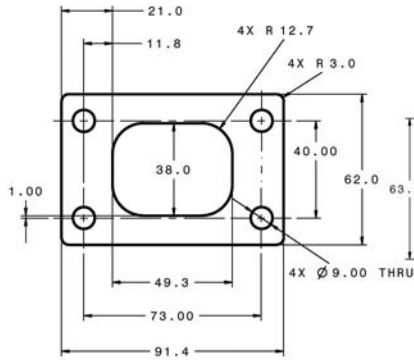


Ø 60 x 30

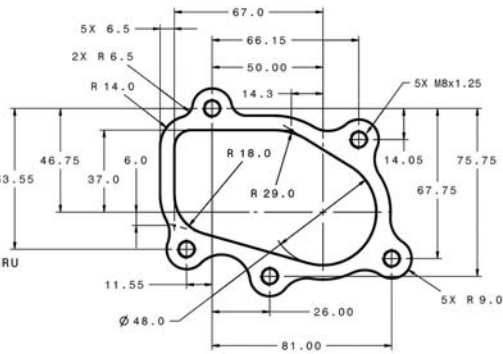
Compressor Outlet



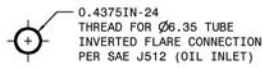
Turbine Inlet
"T25"



Turbine Outlet
"5 BOLT"

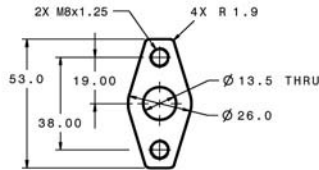


Oil Inlet



0.4375IN-24
THREAD FOR Ø6.35 TUBE
INVERTED FLARE CONNECTION
PER SAE J512 (OIL INLET)

Oil Outlet



Water

M14 x 1.50

All Measurements in MM