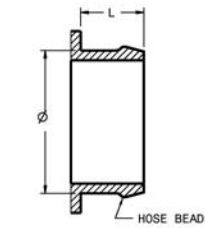


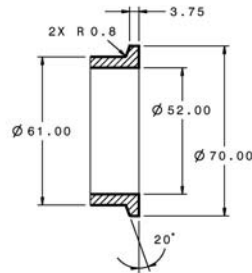
Compressor Inlet

HOSE CONNECTIONS
TABULATED AS (Ø x L)

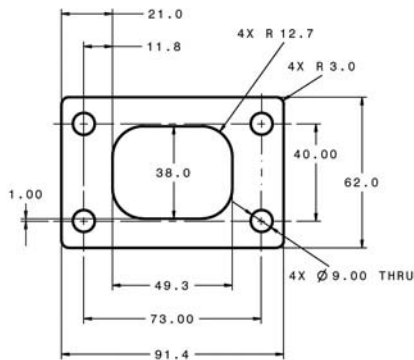


Ø 60 x 30

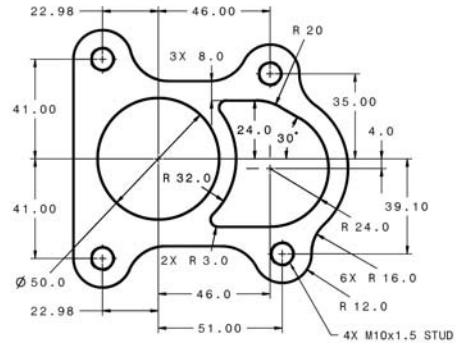
Compressor Outlet



Turbine Inlet
"T25"

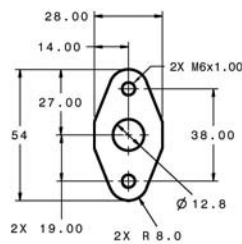


Turbine Outlet



Oil Inlet
Available with
M10 x 1.0 (F)
or
M14 x 1.0 (M)

Oil Outlet



Water
Not Applicable

All Measurements in MM