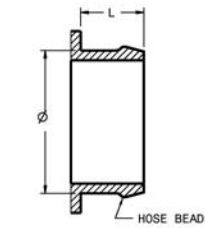


Compressor Inlet

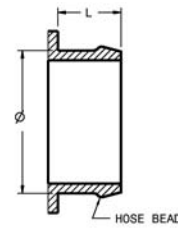
HOSE CONNECTIONS
TABULATED AS (Ø x L)



Ø 60 x 25

Compressor Outlet

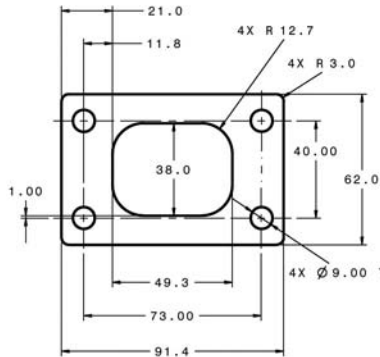
HOSE CONNECTIONS
TABULATED AS (Ø x L)



Ø 50 x 25

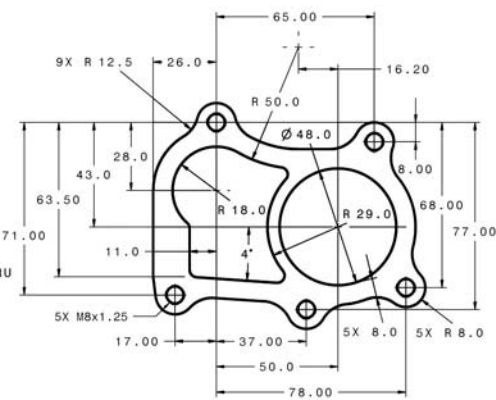
Turbine Inlet

"T25"

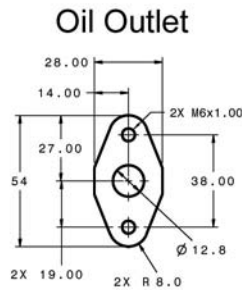


Turbine Outlet

"5 BOLT"



Oil Inlet
Available with
M10 x 1.0 (F)
or
M10 x 1.0 (M)



Water
Not Applicable

All Measurements in MM