

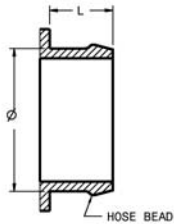


GT2056

751578-2

Compressor Inlet

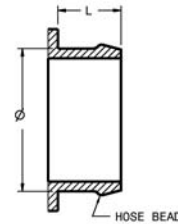
HOSE CONNECTIONS
TABULATED AS (ϕ x L)



ϕ 51 x 25

Compressor Outlet

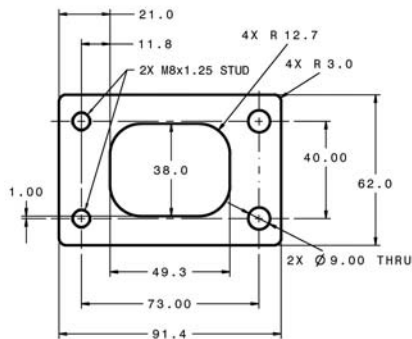
HOSE CONNECTIONS
TABULATED AS (ϕ x L)



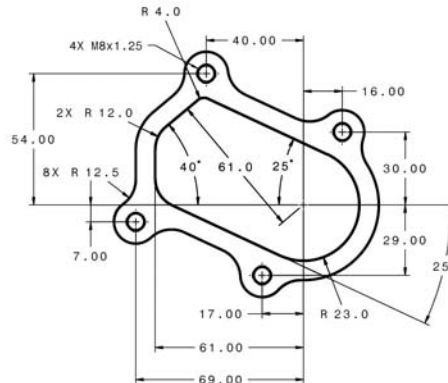
ϕ 50 x 35

Turbine Inlet

"T25 WITH STUDS"

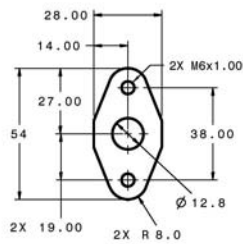


Turbine Outlet



Oil Inlet
Available with
M10 x 1.0 (F)
or
M14 x 1.5 (M)

Oil Outlet



Water
Not Applicable

All Measurements in MM