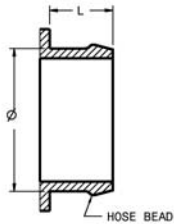


Garrett[®]
by Honeywell

GT2052
727264-1 & 727264-2

Compressor Inlet

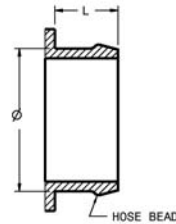
HOSE CONNECTIONS
TABULATED AS (Ø x L)



Ø 54 x 25

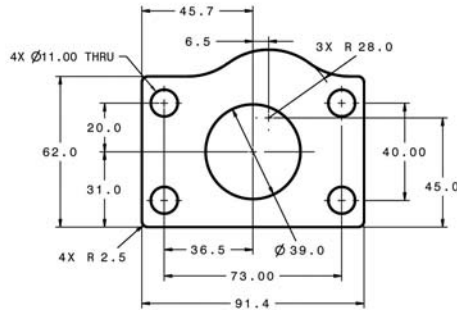
Compressor Outlet

HOSE CONNECTIONS
TABULATED AS (Ø x L)

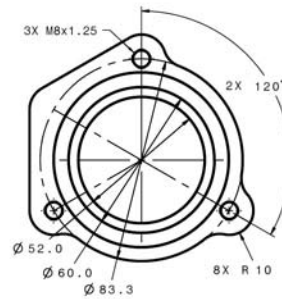


Ø 50 x 25

Turbine Inlet

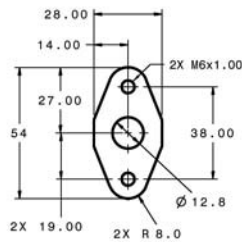


Turbine Outlet



Oil Inlet
Available with
M10 x 1.0 (F)
or
M10 x 1.0 (M)

Oil Outlet



Water
Not Applicable

All Measurements in MM